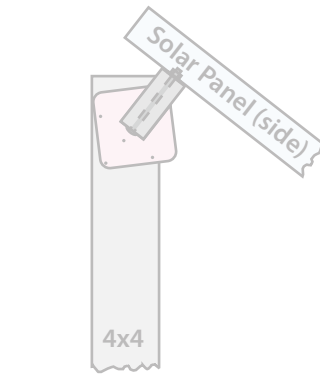
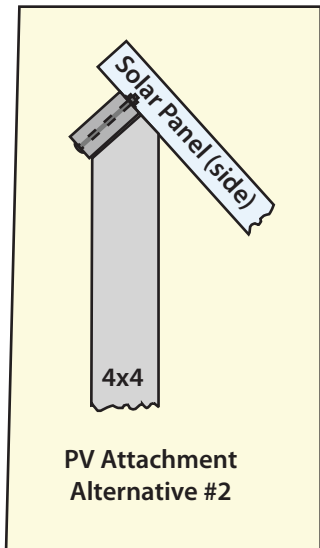


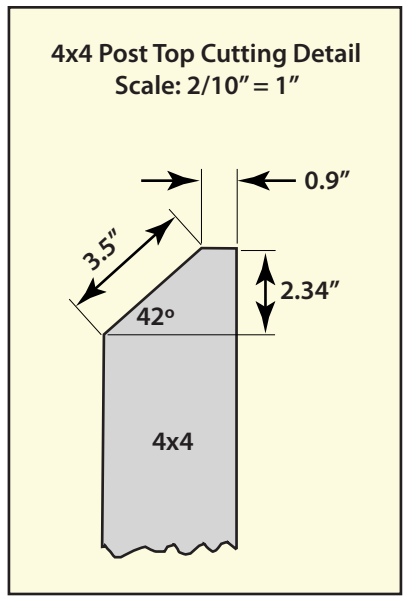
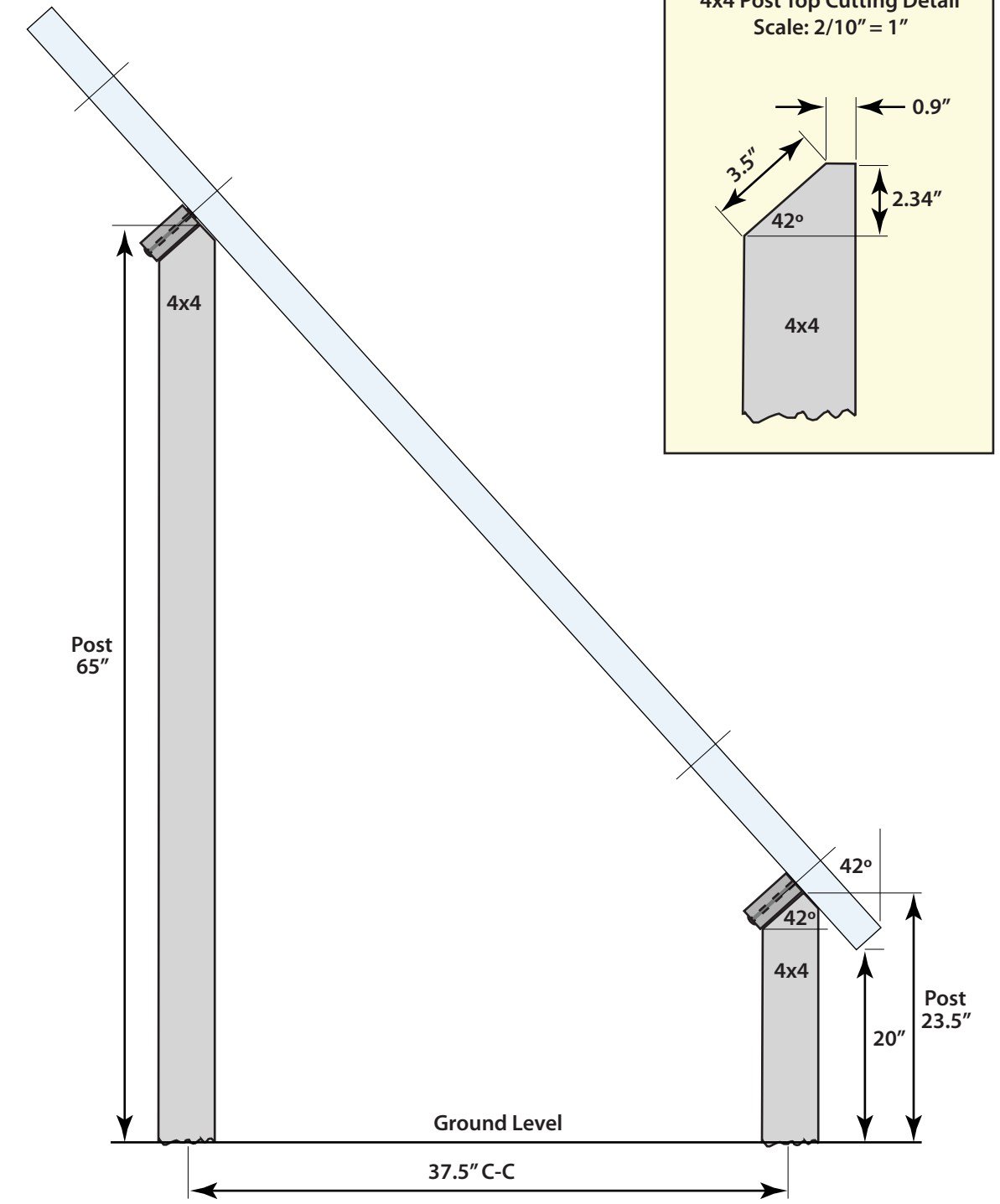
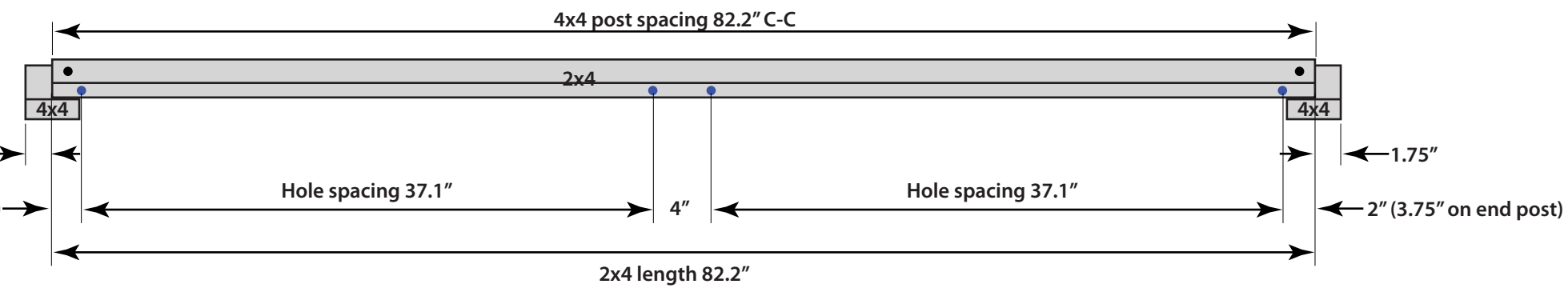
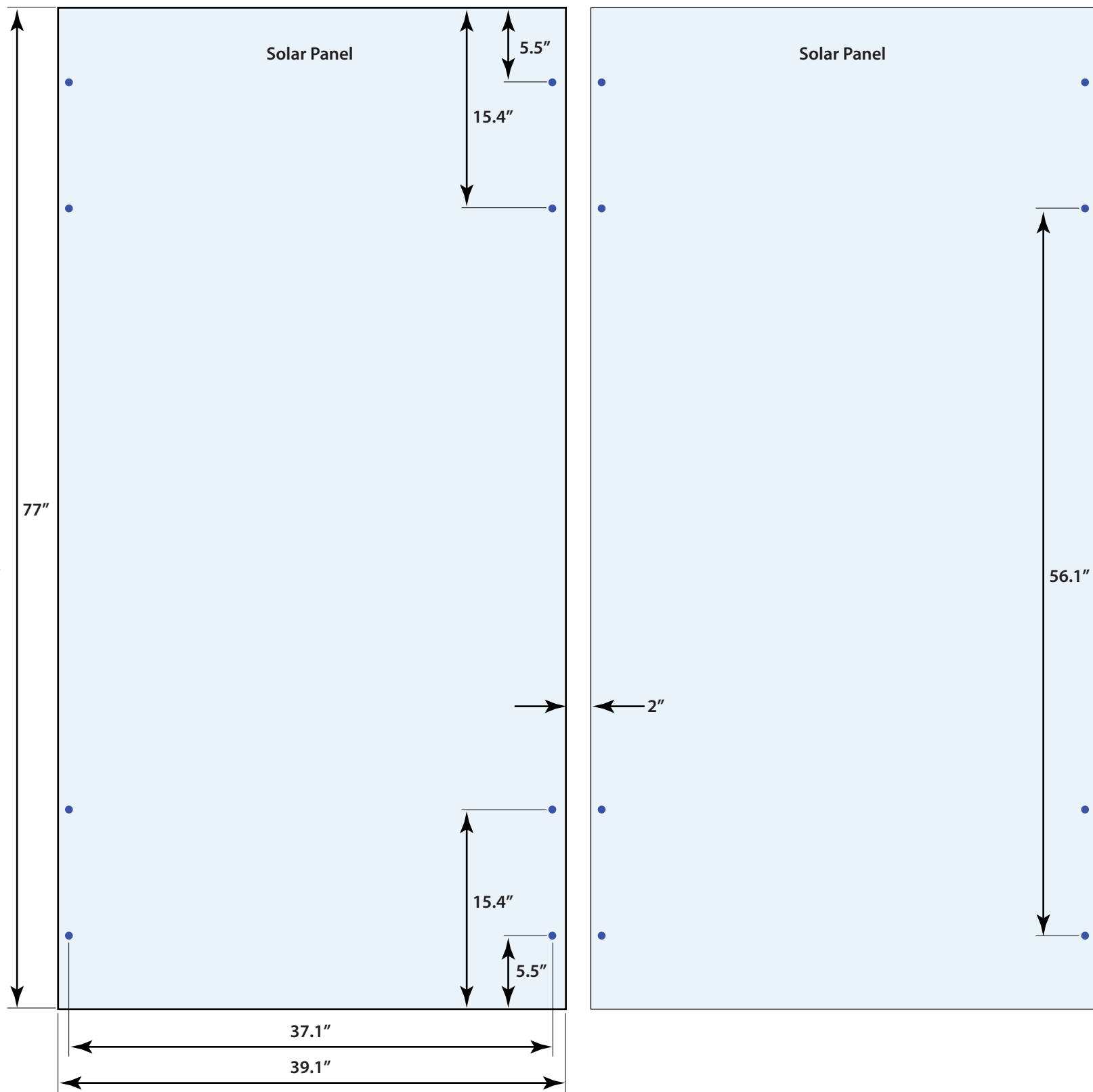
PV Attachment Original



PV Attachment Alternative #1



PV Attachment Alternative #2



Solar Panel Support Details
September 11, 2012
Scale: 1/10" = 1"